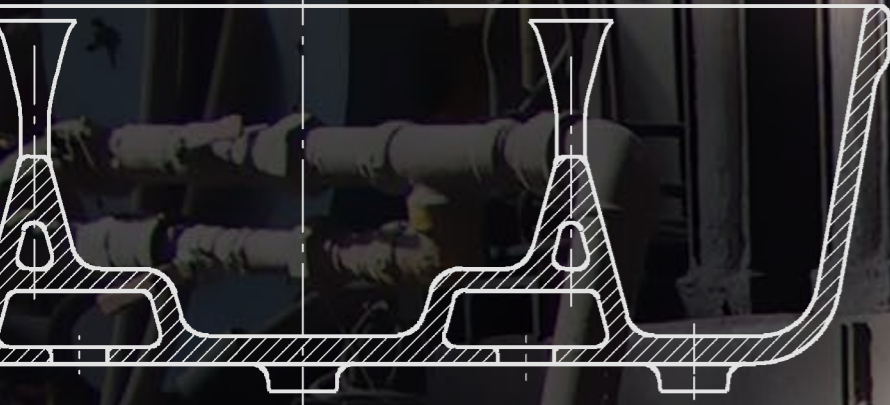




A-A



Components for the Aluminium Industry

GVA Krefeld 

GVA Krefeld GmbH • Uerdinger Strasse 540 • 47800 Krefeld
T +49 2151 50756-0 • Fax +49 2151 50756-22 • E-Mail info@gva-krefeld.de • www.gva-krefeld.de

GVA Krefeld 



Quality Assured Products

GVA Krefeld GmbH is an established German engineering office that has been delivering cast and forged steel products and services to the world market of metal producers for almost 35 years. The company is well known to leading customers and manufacturers and seamlessly bridges the gap between producer and consumer through our dedicated engineering office based in Germany and our established range of production partners in both Europe and Asia. Over the past 30 years GVA Krefeld has established an extremely successful track record for the delivery of small, medium and large steel products to the aluminium, steel and copper production industries. These include slagpots, ladles, molds, dross boxes and many more bespoke and build to print components.

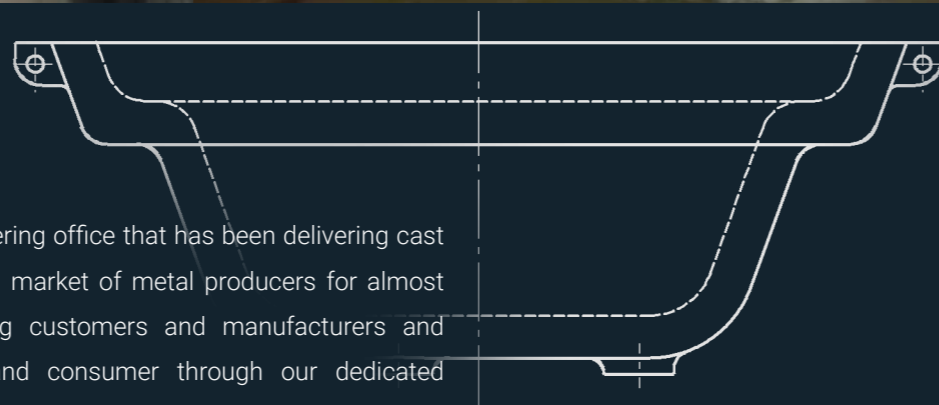
Today GVA Krefeld provides solutions and products to more than 800 customers in 70 countries. Our certified manufacturers provide high volume capacities for castings up to 200 metric tonnes of single poured weight, forgings up to 140 metric tonnes and welded constructions up to a weight of 100 metric tonnes. If our sales or technical team can help with your requirements, we would be delighted to hear from you.

For general inquiries please email:

info@gva-krefeld.de

We are looking forward to being at your service.

Your GVA Team



GVA Krefeld products for the aluminium industry are always provided with **high quality smooth inner surfaces** for reliable and repeatable usage.

Supporting the Aluminium Production Industry

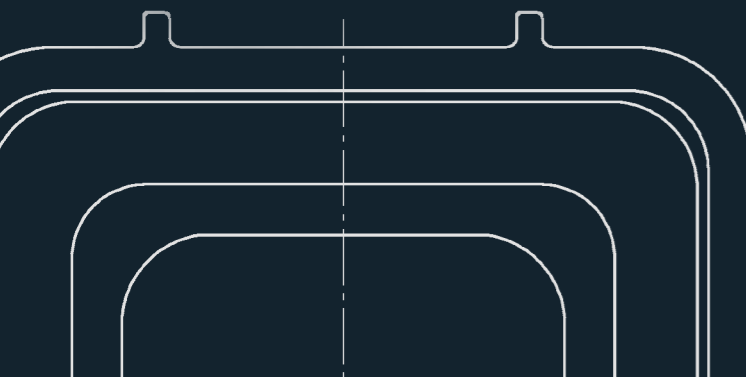
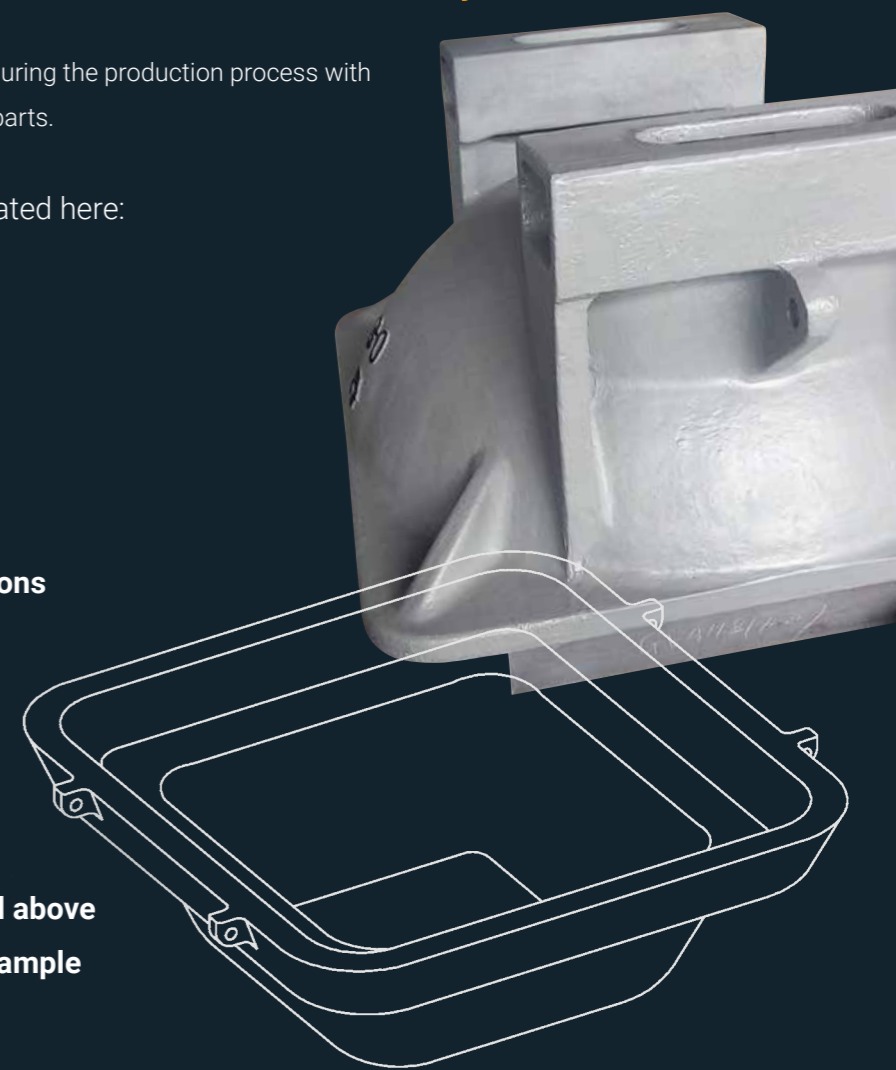
GVA Krefeld GmbH supports aluminium producers during the production process with different products, expendable materials and spare parts.

A selection of these components are illustrated here:

- **Pig molds / sow molds**
- **Dross pots and covers incl. sealing**
- **Container for remaining metal**
- **Anode yoke**
- **Molds**
- **Transport channels**
- **Pouring spouts and flexible spout solutions**
- **Casting slide gate plates**
- **Molds for Desox Aluminium**
- **Spare parts and casting lines**

GVA Service:

- **Tailored solutions of all parts mentioned above**
- **Development of design solutions, for example flexible pouring spouts**



Aluminium products

Established and proven **in-house designs** **High quality** with exceptional value **Technical excellence** **Valued** customers **Assured** service and products